

G-series

Debut !! New Heavy Duty series

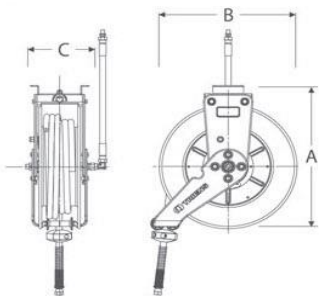
Dual pedestal for heavy duty applications.
Wide range of product handling.
Slide in mounting base.
5 adjustable arm positions.



Reel can be adjusted 5 different positions

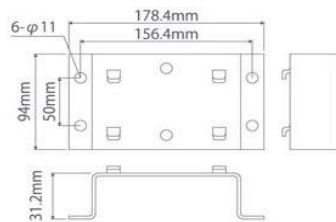


Dimensions

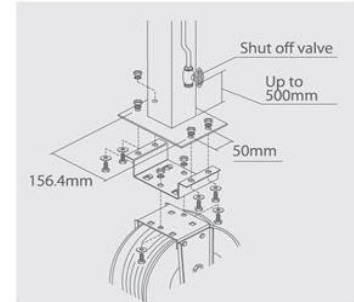


	[mm]		
	A	B	C
GS	461	447	245
GM	566	551	245
GL	666	650	275

Mounting bracket dimensions mm



Installation example mm



Reel drum is expandable for longer application

Basic style

double wide

triple wide



G I

G II

G III

※ II and III are special order only
Please consult with factory for detail

G series Small



Air Hose Reels



Water Reels



Oil Reels



Grease Reels



GS

	Model	I.D.(mm)	outlet hose			MPa	inlet hose		weight (kg)
			m	fittings	hose		m	fittings	
air	GS I A-315	8.0	15	Union G 3/8 Female	PVC	1.4	1.0	Union G 3/8 Female	13.5
air	GS I A-410	13.0	10	Union G 1/2 Female	PVC	1.4	1.0	Union G 1/2 Female	14.9
water	GS I W-315	8.0	15	Union G 3/8 Female	PVC	0.5	1.0	Union G 3/8 Female	13.5
water	GS I W-410	13.0	10	Union G 1/2 Female	PVC	0.5	1.0	Union G 1/2 Female	14.9
oil	GS I O-310	9.5	10	Union G 3/8 Female	1 braid	6.0	1.0	Union G 3/8 Female	15.7
oil	GS I O-410	12.7	10	Union G 1/2 Female	1 braid	6.0	1.0	Union G 1/2 Female	16.8
grease	GS I G-210	6.2	10	Union G 1/4 Female	2 braid	28.0	1.0	Union G 1/4 Female	15.8
grease	GS I G-310	9.3	10	Union G 3/8 Female	2 braid	28.0	1.0	Union G 3/8 Female	17.7

Comes with inlet hose ,nipple and mounting base set.

G series Medium



Air Hose Reels



Water Reels



Oil Reels



Grease Reels



GM

	Model	I.D.(mm)	outlet hose			MPa	inlet hose		weight (kg)
			m	fittings	hose		m	fittings	
air	GM I A-320	8.0	20	Union G 3/8 Female	PVC	1.4	1.0	Union G 3/8 Female	16.9
air	GM I A-325	8.0	25	Union G 3/8 Female	PVC	1.4	1.0	Union G 3/8 Female	17.4
air	GM I A-330	8.0	30	Union G 3/8 Female	PVC	1.4	1.0	Union G 3/8 Female	17.9
air	GM I A-415	13.0	15	Union G 1/2 Female	PVC	1.4	1.0	Union G 1/2 Female	17.8
air	GM I A-420	13.0	20	Union G 1/2 Female	PVC	1.4	1.0	Union G 1/2 Female	18.8
water	GM I W-320	8.0	20	Union G 3/8 Female	PVC	0.5	1.0	Union G 3/8 Female	16.9
water	GM I W-325	8.0	25	Union G 3/8 Female	PVC	0.5	1.0	Union G 3/8 Female	17.4
water	GM I W-330	8.0	30	Union G 3/8 Female	PVC	0.5	1.0	Union G 3/8 Female	17.9
water	GM I W-415	13.0	15	Union G 1/2 Female	PVC	0.5	1.0	Union G 1/2 Female	17.8
water	GM I W-420	13.0	20	Union G 1/2 Female	PVC	0.5	1.0	Union G 1/2 Female	18.8
oil	GM I O-315	9.5	15	Union G 3/8 Female	1 braid	6.0	1.0	Union G 3/8 Female	20.8
oil	GM I O-320	9.5	20	Union G 3/8 Female	1 braid	6.0	1.0	Union G 3/8 Female	22.4
oil	GM I O-415	12.7	15	Union G 1/2 Female	1 braid	6.0	1.0	Union G 1/2 Female	32.0
grease	GM I G-215	6.2	15	Union G 1/4 Female	2 braid	28.0	1.0	Union G 1/4 Female	20.8
grease	GM I G-220	6.2	20	Union G 1/4 Female	2 braid	28.0	1.0	Union G 1/4 Female	22.5
grease	GM I G-315	9.3	15	Union G 3/8 Female	2 braid	28.0	1.0	Union G 3/8 Female	23.8

Comes with inlet hose ,nipple and mounting base set.

G series Large



Air Hose Reels



Water Reels



Oil Reels



Grease Reels



GL

	Model	I.D.(mm)	outlet hose			MPa	inlet hose		weight (kg)
			m	fittings	hose		m	fittings	
air	GL I A-425	13.0	25	Union G1/2 Female	PVC	1.4	1.0	Union G1/2 Female	31.6
air	GL I A-430	13.0	30	Union G1/2 Female	PVC	1.4	1.0	Union G1/2 Female	32.7
air	GL I A-435	13.0	35	Union G1/2 Female	PVC	1.4	1.0	Union G1/2 Female	33.7
air	GL I A-610	19.0	10	Union G3/4 Female	PVC	1.4	1.0	Union G3/4 Female	29.5
air	GL I A-615	19.0	15	Union G3/4 Female	PVC	1.4	1.0	Union G3/4 Female	31.1
water	GL I W-425	13.0	25	Union G1/2 Female	PVC	1.4	1.0	Union G1/2 Female	31.6
water	GL I W-430	13.0	30	Union G1/2 Female	PVC	1.4	1.0	Union G1/2 Female	32.7
water	GL I W-435	13.0	35	Union G1/2 Female	PVC	1.4	1.0	Union G1/2 Female	33.7
oil	GL I O-420	12.7	20	Union G1/2 Female	1 braid	6.0	1.0	Union G1/2 Female	36.2
oil	GL I O-425	12.7	25	Union G1/2 Female	1 braid	6.0	1.0	Union G1/2 Female	38.4
oil	GL I O-610	19.0	10	Union G3/4 Female	1 braid	6.0	1.0	Union G3/4 Female	36.7

Comes with inlet hose ,nipple and mounting base set.