

S-series

Reliability and Results. TRIENS' new redesigned standard series



Frame size: small

S-series reels are our No.1 selling reel for over 45 years. Light weight, easy to handle and convenient for restricted indoor spaces. High impact cover protects all working parts from contaminants, such as dust or dirt, and prevents hose binding and overlap. The slide-in mounting bracket allows for quick and easy installation.

*Corrosion resistant solid brass axle.

*Reel comes complete with inlet hose or cord, and mounting bracket.

Size Comparison



Frame size: Medium



Frame size: small

New

Improved support strength

Strengthened bracket support arms more than twice as previous model.



SUS Equipped with SUS protector

Stainless steel protector has been added at hose outlet to extend life of outside casing.



Easy Easy hose replacement

Easy Coupling, at the connection between outlet hose and the reel, allows for easy hose replacement.



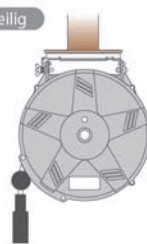
anti-spark anti-spark hose

Flexible Anti-Spark hose.

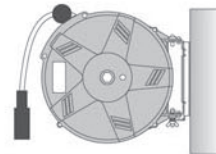


Ceiling or Wall mount

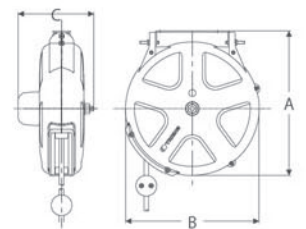
Ceiling



Wall

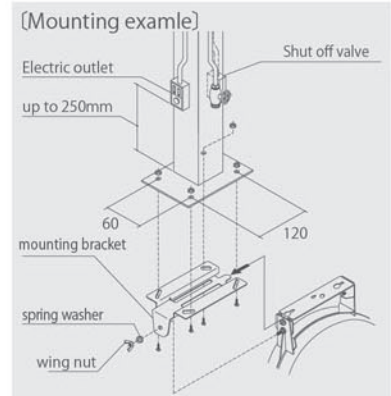
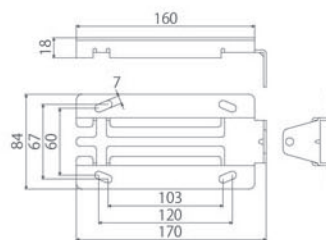


Dimensions



Mounting base

(mm)



Air Hose Reels (small)



Air Hose Reels
SHS-210A

6.5 mm 10m

- High-quality polyurethane hose.
- Easy coupling

Air Hose Reels
SHS-306

8.0 mm 6m

Model	Outlet hose				MPa	Inlet Hose		Dimensions (mm)			Weight (kg)
	I.D. (mm)	m	fittings	hose		m	Inlet	A	B	C	
SHS-210	6.5	10	Female G1/4	PU	1.4	0.8	Swivel Fitting Male R1/4	314	290	152	3.5
SHS-306	8.0	6	Female Rc3/8	PU	1.4	1.0	Swivel Fitting Male R3/8	314	290	152	3.5

Comes with mounting base set.

※inlet hose is not Anti-spark type.

Air Hose Reels (medium)



Air Hose Reel
SHR-31Z

8.0 mm 10m

Air Hose Reel
SHR-15Z

6.5 mm 15m

Air Hose Reel
SHR-35Z

8.0 mm 15m

Air Hose Reel
SHR-20Z

6.5 mm 20m

- High-quality polyurethane hose.
- Easy-changing coupling available.

Model	Outlet hose				MPa	Inlet hose		Dimensions (mm)			Weight (kg)
	I.D. (mm)	m	fittings	hose		m	fittings	A	B	C	
SHR-31Z	8.0	10	Female Rc3/8	PU	1.4	1.0	Swivel fitting male R3/8	408	384	173	6.4
SHR-35Z	8.0	15	Female Rc3/8	PU	1.4	1.0	Swivel fitting male R3/8	408	384	173	6.8
SHR-15Z	6.5	15	Female G1/4	PU	1.4	0.8	Swivel fitting male R3/8	408	384	173	7.0
SHR-20Z	6.5	20	Female G1/4	PU	1.4	0.8	Swivel fitting male R3/8	408	384	173	7.2

Comes with mounting base set.

※inlet hose is not Anti-spark type.

Outlet Cord Reels (small)(medium)



Outlet Cord Reel
SCS-310

100V 220V 10m

- Compact type triple outlet with a ground clip



Outlet Cord Reel
SLR-15N

100V 220V 15m

Outlet Cord Reel
SLR-20N

100V 220V 20m

Model	Wire		Outlet Cord		Power Rating		Inlet cord		Dimension (mm)			Weight (kg)
	Wire	m	Outlet		m	Inlet	m	Inlet	A	B	C	
SCS-310	1.25 × 3	10	outlet w/ground clip		AC125V/6A AC250V/6A	0.8	plug (w/ground clip)	314	290	164	4.1	
SLR-15N	1.25 × 3	15	outlet w/ground clip		AC125V/6A AC250V/6A	0.8	plug (w/ground clip)	408	384	183	7.7	
SLR-20N	1.25 × 3	20	outlet w/ground clip		AC125V/6A AC250V/6A	0.8	plug (w/ground clip)	408	384	183	8.5	

Comes with mounting base set.

Outlet Cord Reels with light (small)



Captain Light Reel
SCS-310C

100V 220V 10m

- Outlet Cord Reel with Captain light (18W hand light.)



Captain Light Reel
SCS-310D

100V 220V 10m

- Outlet Cord Reel with Captain light LED (18W LED hand light.)



Captain Light Reel
SLR-15CN

100V 220V 15m

Captain Light Reel
SLR-20CN

100V 220V 20m

- Outlet Cord Reel with Captain light (18W hand light.)

Captain Light Reel
SLR-15DN

100V 220V 15m

Captain Light Reel
SLR-20DN

100V 220V 20m

- Outlet Cord Reel with Captain light LED (18W LED hand light.)

Model	Wire		Cord		Power Rating		Inlet		Dimensions (mm)			Weight (kg)
	Wire	m	Outlet		m	Inlet	m	Inlet	A	B	C	
SCS-310C	1.25 × 3	10	Hand light		AC125V/6A AC250V/6A	0.8	plug (w/ground clip)	314	290	164	4.5	
SLR-15CN	1.25 × 3	15	Hand light		AC125V/6A AC250V/6A	0.8	plug (w/ground clip)	408	384	183	8.2	
SLR-20CN	1.25 × 3	20	Hand light		AC125V/6A AC250V/6A	0.8	plug (w/ground clip)	408	384	183	8.9	
SCS-310D	1.25 × 3	10	LED Hand light		AC125V/6A AC250V/6A	0.8	plug (w/ground clip)	314	290	164	4.5	
SLR-15DN	1.25 × 3	15	LED Hand light		AC125V/6A AC250V/6A	0.8	plug (w/ground clip)	408	384	183	8.2	
SLR-20DN	1.25 × 3	20	LED Hand light		AC125V/6A AC250V/6A	0.8	plug (w/ground clip)	408	384	183	8.9	

Comes with Mounting base set.

Water Reels



Water Reel
SWS-208

6.0 mm 8m

- Reliable PVC hose



Water Reel
SWR-310

8.0 mm 10m

- Reliable PVC hose

Model	Outlet Hose				MPa	Inlet Hose		Dimensions (mm)			Weight (kg)
	I.D. (mm)	m	Outlet	hose		m	Inlet	A	B	C	
SWS-208	6.0	8	Female G1/4 (w/O-ring)	PVC	1.4	0.8	Male R1/4	314	290	152	3.5
SWR-310	8.0	10	Female Rc3/8	PVC	1.4	1.0	Male R3/8	408	384	173	6.4

comes with mounting base set