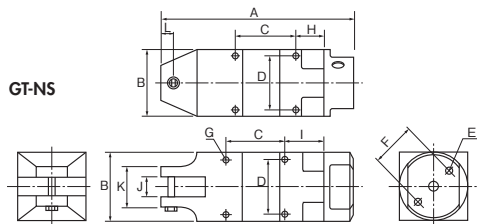


No. GT-NS3/5/7/10L/20/30 Square Air Nippers

●VESSEL provides a generous selection of blades for gate-cutting of resin molded products and various wire cutting in a welding automatic machine and wire winding machine.

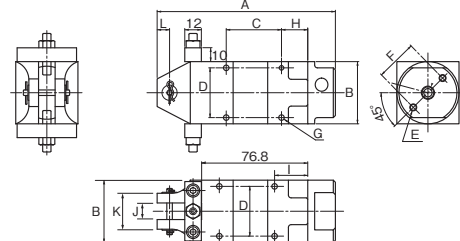


- The position of air intake port is 180-degree rotatable.
- Two air intake ports are provided, so they can be switched depending on the mounting place.



GT-NS

GT-NS20H-1 (Blade opening adjustable)



Reference

Capacity ϕ (mm)			Model No.	Size (mm)											Air Consumption (cm ³ /str.)	Air Pressure (MPa)	Weight (g)	Hose coupling	EDP No.	
Soft Plastic	Hard Plastic	Copper Steel		A	B	C	D	E	F	G	H	I	J	K						L
2.0	1.0	0.5	GT-NS3	110	23	40	19	M3 Depth8	17	M3 Depth3.5	19	24	7	23	7	45	0.4~0.5	95	Rc 1/8	360012
2.0	1.0	0.5	GT-NS5	94	30	30	24	M4 Depth10	20	M3 Depth5	14	19	7	23	7	64	0.4~0.5	135		360013
3.0	2.0	1.6	GT-NS7	113	36	30	28	M4 Depth10	24	M4 Depth5.5	18	23	9	23	7	116	0.4~0.5	215		360014
4.0	2.6	1.8	GT-NS10L	113	36	30	28	M4 Depth10	24	M4 Depth5.5	18	23	12	26	7	116	0.5~0.6	215		360009
7.0	5.0	2.6	GT-NS20	129	45	40	36	M5 Depth12	30	M4 Depth7	19	24	12	26	9	230	0.5~0.6	370		360010
10.0	6.5	3.3	GT-NS30	170	56	60	46	M6 Depth12	40	M5 Depth10	20	30	17	36	15	584	0.5~0.6	685	360011	
7.0	5.0	2.6	GT-NS20H-1	129	45	40	36	M5 Depth12	30	M4 Depth7	19	24	12	26	9	230	0.5~0.6	455	—	

※The capacity in the above table is given for reference, when mounting a standard type of blade. The capacity depends on the blade shape and the material of the object to cut.

•Air hose inner dia. : 5mm •Overall length and Weight: Accessories not included.

• Check the dimensions of the VESSEL nippers and blades when installing them in an automation machine (outer diameter of the frame, screw diameter, distance between installation screws, and others)

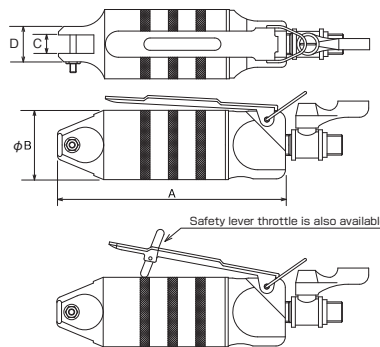
• The GT-NS50 is available as made-to-order. Please consult us for more detail.

No. GT-N3/5/7/10/12/20/30/50 Hand Held Air Nippers

●VESSEL's made-to-order blades provide solutions for a virtually unlimited range of needs, leading to safer and more efficient working conditions, and less fatigue for the operator.



•N20, N30 and N50 have the air cock.



Safety lever throttle is also available.

Reference

Capacity ϕ (mm)			Model No.	Size (mm)				Air Consumption (cm ³ /str.)	Air Pressure (MPa)	Weight (g)	Body	Hose coupling	EDP No.
Soft Plastic	Hard Plastic	Copper Steel		A	B	C	D						
2.0	1.0	0.5	GT-N3	112	23	7	14	45	0.4~0.5	95	Rc 1/8	Rc 1/4	360002
2.0	1.0	0.5	GT-N5	103	30	7	17	64	0.4~0.5	135	Rc 1/8		360003
3.0	2.0	1.6	GT-N7	123	34	9	17	116	0.4~0.5	180	Rc 1/4		360004
4.0	2.6	1.8	GT-N10	132	34	9	17	116	0.4~0.5	185	Rc 1/4		360005
4.5	4.0	2.3	GT-N12	142	36	12	20	116	0.5~0.6	210	Rc 1/4		360006
7.0	5.0	2.6	GT-N20	148	45	12	23	230	0.5~0.6	375	Rc 1/4	360007	
10.0	6.5	3.3	GT-N30	185	56	17	30	584	0.5~0.6	625	Rc 1/4	360008	
	5.5	4.5	GT-N50	237	75	25.2	43	1,170	0.5~0.6	1,220	Rc 1/4	360001	

※The capacity in the above table is given for reference, when mounting a standard type of blade. The capacity depends on the blade shape and the material of the object to cut.

•Hose coupling: Rc1/4 •Air hose inner dia. : 5mm •Overall length: Accessories, Hunger not included. •Weight: Accessories not included.

※Blades are optional.

HAND TOOLS

BITS & SOCKETS

ELECTRIC TOOLS

AIR TOOLS

STATIC SOLUTIONS

GASOLINE ENGINE TOOLS