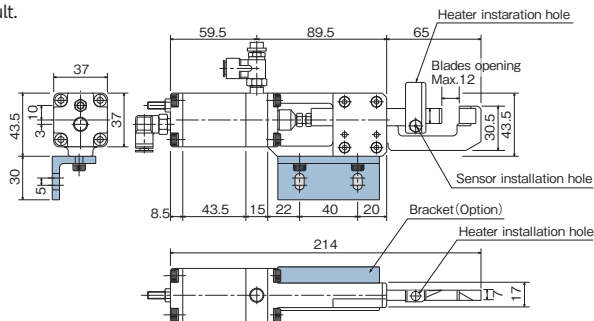
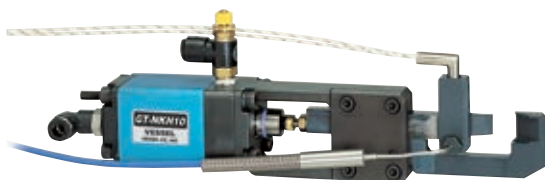


No. GT-NKH10 Heat Air Nippers

- Speed control of cutting speed and heater temperature allows for various cutting surface solutions and meets demands for high precision cutting result.



Model No.	Cutting Capacity width x thickness (mm Acrylic)	Blade Edge Temp. (MAX. °C)	Cutting Cycle (sec./cut)	Air Consumption (cm ³ /str.)	Piston Stroke (mm)	Weight (g)	EDP No.
GT-NKH10	7×1.5	200	4~5	73	12	715	360643 (w/NKH10AJ) 360644 (w/NKH10RAJ)

- Included heater
- Included temperature sensor
- Air Pressure: 0.5~0.6MPa

Blades Specifications

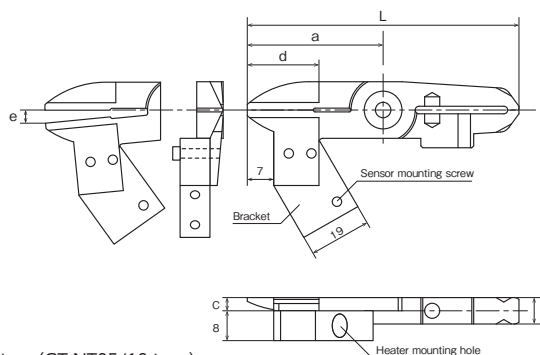
Model No.	Material	Blade Shape	Blade Opening (mm)	Cutting blade effective (mm)	Weight (g)	EDP No.
NKH10AJ	Special alloy steel	Knife type (resin)	12	10	137	360548
NKH10RAJ						360549

- Option Parts · Temperature controller (DTC-001)

No. NTH05AJ/10AJ Heat Air Nipper Blade

- One blade is fixed in position, facilitating easy gate alignment. In addition, a slide function presses the product into position.

Example of blade mounting



- Use these blades in combination with the Sliding Air Nippers vertical type (GT-NT05/10 type).
- For the main unit dimensions, see the Sliding Air Nippers vertical type on P214.

Model No.	Size (mm)							Weight (g)	Cutting Capacity φ (mm) Acrylic	Set temperature (MAX. °C)	Material	Applicable models	EDP No.
	a	b	c	d: Effective Length	e: Blade opening	L							
NTH05AJ	36	7	3.5	15	3.5	72	40	2.5	200	Special alloy steel	GT-NT05(-4)/GT-NT05R(-4)	360546	
NTH10AJ	47	9	4.7	17	4.5	94	88	3.5	200	Special alloy steel	GT-NT10(-6)/GT-NT10R(-6)	360547	

The above information on weight does not include heater or sensor.

The following parts are not provided; purchase them separately.

- Special heater (80 W/120 V, cord length: 300 mm), temperature sensor (type-K thermocouple, cord length: 1,000 mm), speed controller, and bracket (for heater mounting)

- Option Parts · Temperature controller (DTC-001)