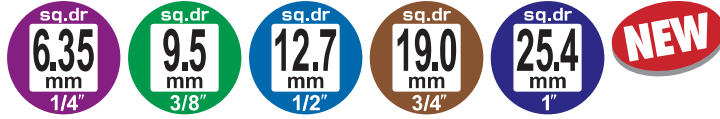


TORQUE WRENCH CHECKER

Check at anytime the actual torque value before using torque wrench in the field.
 Visible LED Display prevents mistake in reading the torque value.
 3 measurement mode are installed (Peek mode/Track mode/Peek hold mode)
 Available for various size and head of the wrench by using Adaptors.



Watch Video
<http://youtu.be/sp-iRroH2FM>



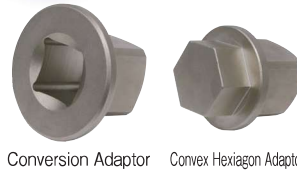
TTC-60



TTC-500



TTC-1000



Conversion Adaptor Convex Hexiagon Adaptor



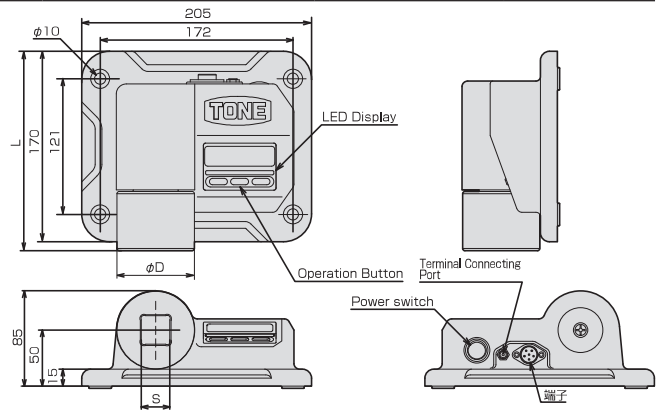
Model	Torque Range Min. ~ Max. (N.m)		Increments	Sq. Drive (mm)	Dimensions(mm)			Measurement	Accuracy	Weight (Main Body Only)
	S	D			L					
TTC-60	2	~ 60	0.00 ~	0.01	12.7	30.0	155	CW	± 1% + 1 digit	2.2
TTC-500	20	~ 500	0.0 ~	0.1	25.4	48.0	173			2.6
TTC-1000	50	~ 1000	0.0 ~	0.1	25.4	48.0	173			2.8

- Voltage : 100V ~ 240V
- Operating temperature : 5°C ~ 40°C
- Storage temperature : -20°C ~ 70°C
- Measurement Mode: Peek mode/Track mode/Peek hold mode



Accessory

- Conversion Adaptor (1pc each)
 TTC-60 : □ 6.35mm × 凸 12.7mm, □ 9.5mm × 凸 12.7mm
 TTC-500, TTC-1000 : □ 9.5mm × 凸 25.4mm, □ 12.7mm × 凸 25.4mm, □ 19.0mm × 凸 25.4mm
- Convex Hexiagon Adaptor (1pc each)
 TTC-60 : 凸 19mm × 凸 12.7mm, 凸 27mm × 凸 12.7mm
 TTC-500, TTC-1000 : 凸 27mm × 凸 25.4mm, 凸 38mm × 凸 25.4mm
- AC adaptor 100V ~ 240V/50-60Hz
- Fixing Bolt : M10 × 40 Cap Bolt (with Washer, Nut) 4
- Instruction Manual ○ Calibration Certificate W/H Traceability



Repair·Maintenance

- Accuracy might become inaccurate in case that the tools are not in use for a long time or are not use properly. Contact your distributor periodically to keep the accuracy of the tools.
- Carry out overhaul in case the wrench doesn't sound click or shock.

LED Display

- Visuable readout with LED Display.

High Accuracy

- Accuracy: ±1% + 1 digit

Easy Operation

- Easy to operate by power switch and three buttons.

3modes are available for various toque management.

Track Mode

Displayed torque value changes in accordance with the applying torque. The display indicates '0' when stopped applying torque.

Peak Mode

The tool resets automatically as the seconds setted in advance. (Can be choosen from 1,2,4 and 8 sec.)

Peak Hold

Displayed torque value remains until pushed the botton.

