




For Low Pressure (Air)

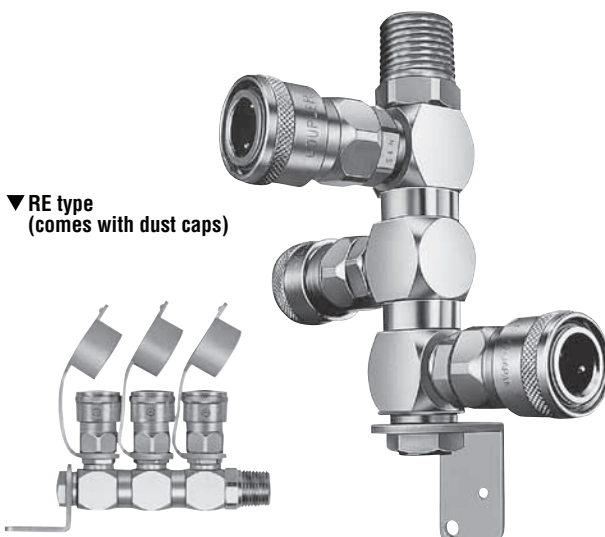
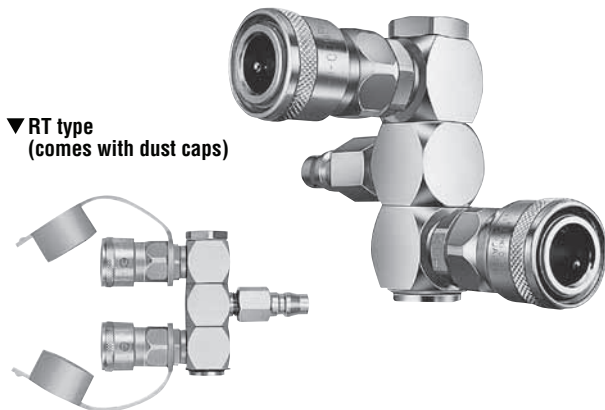
# Rotary Line Cupla

Simple design air line couplings on free turn manifold

Working pressure	Valve structure	Applicable fluid
 1.5 MPa (15 kgf/cm <sup>2</sup> )	 One-way shut-off	 Air

Each air outlet can be turned freely to any angle independently.

- Multiple outlets are available from single air supply source.
- Sideway air outlets are rotatable to any angle. Possible hose twists can be eliminated by the component Cuplas' swivel mechanism.
- Choose either RT type (2 outlets) or RE type (3 outlets) to suit your application.



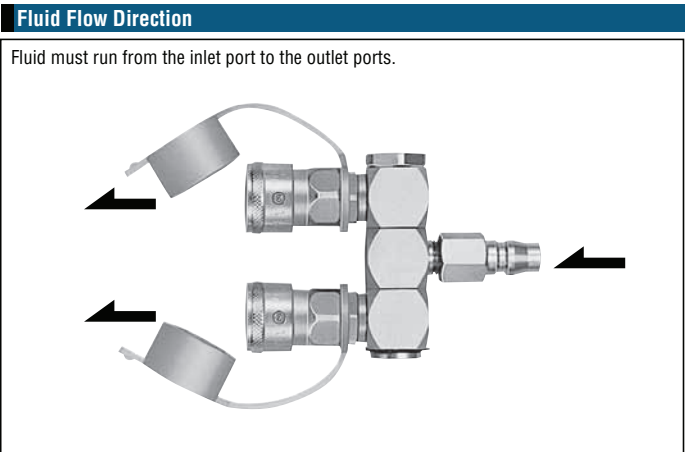
Specifications							
Body material	Body : Brass (Chrome-plated), Cupla : Steel (Chrome-plated)						
Model	RT Type (for two branch lines)		RE Type (for three branch lines)				
Size	Inlet	Hi Cupla Plug 20PF	Inlet	R 1/2			
	Outlet	2 sockets for Hi Cupla Model 20	Outlet	3 sockets for Hi Cupla Model 20			
Working pressure	MPa	1.5					
	kgf/cm <sup>2</sup>	15					
	bar	15					
	PSI	218					
Seal material	Nitrile rubber	Mark	NBR (SG)	Working temperature range	-20°C to +60°C	Remarks	Standard material

• The products come with dust caps.

Max. Tightening Torque (RE Type)		Nm (kgf·cm)
Size (Thread)	1/2"	
Torque	30 (306)	

**Fluid Flow Direction**

Fluid must run from the inlet port to the outlet ports.



**Interchangeability**

Can be connected with plugs for Hi Cupla Models 10, 17, 20, 30 and 40. Interchangeable with each corresponding Hi Cupla Series models.

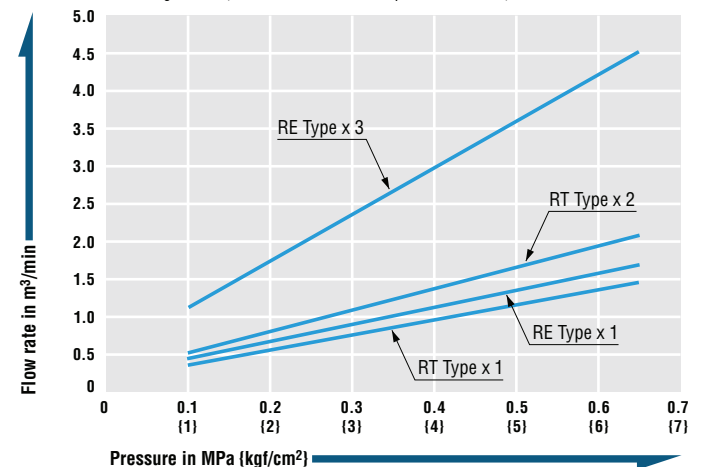
Min. Cross-Sectional Area (mm <sup>2</sup> )		
Model	RT type	RE type
Min. cross-sectional area	33	

**Suitability for Vacuum**

Not suitable for vacuum application in either connected or disconnected condition.

**Pressure - Flow Characteristics**

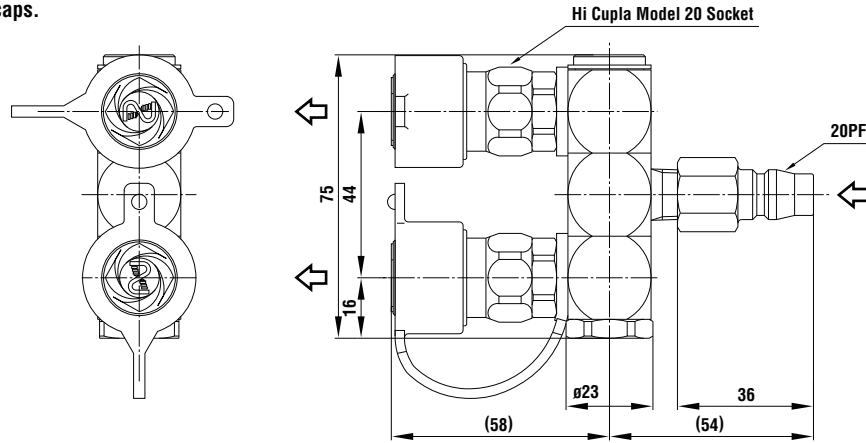
[Test conditions] • Fluid : Air • Temperature : Room temperature  
• Plug : 20PM (All the Socket valves are opened with 20PM)



**Socket RT type (For two outlets)**

Mass : 490 g

- Fluid must run in the direction of the arrow.
- The product comes with dust caps.

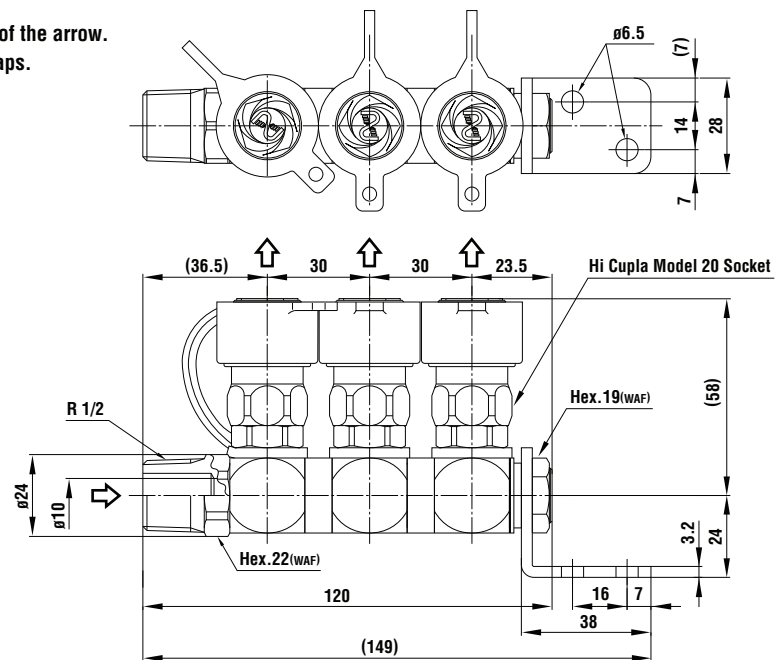


Dimensions (mm)

**Socket RE type (For three outlets)**

Mass : 660 g

- Fluid must run in the direction of the arrow.
- The product comes with dust caps.



Dimensions (mm)

**Application Example**



Air line manifold

Before use, please be sure to read "Safety Guide" described at the end of this book and "Instruction Sheet" that comes with the products.

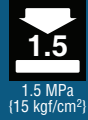
For Low Pressure (Air)

# Line Cupla

200T Type, 200L Type, 200S Type

Simple design air line coupling on manifold

Working pressure



Valve structure



Applicable fluid

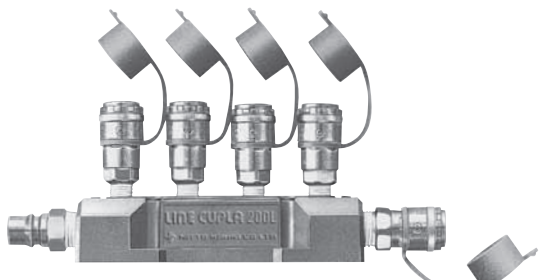


## Enables several air lines to be taken simultaneously from one supply line!

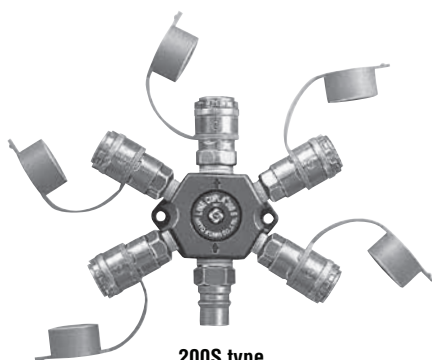
- Just push in the plug into socket for simple and secure connection.
- Multiple outlets are available from single air supply source.
- Choose from the 2-outlet type (Model 200T), the 5-outlet straight type (Model 200L) and the 5-outlet star type (Model 200S) to suit your application.



200T type



200L type  
(comes with an accessory 400SH and dust caps)



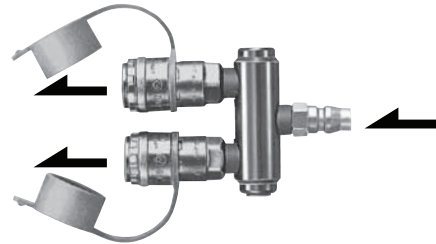
200S type  
(comes with an accessory 400SH and dust caps)

Specifications				
Body material		Body : Aluminum, Cupla : Steel (Chrome-plated)		
Size	Inlet	200T Type : 20PM	200L Type / 200S Type : 400PM	
	Outlet	200T Type : 200-20SM	200L Type / 200S Type : 200-20SM, 40SM	
Working pressure	MPa	1.5		
	kgf/cm <sup>2</sup>	15		
	bar	15		
	PSI	218		
Seal material	Nitrile rubber	Mark	NBR (SG)	Working temperature range -20°C to +60°C
Working temperature range	Standard material			

• The products come with dustproof caps.

### Flow Direction

Fluid must run from the inlet port to the outlet ports.



### Interchangeability

Can be connected with plugs for Hi Cupla Models 10, 17, 20, 30 and 40. Interchangeable with each corresponding Hi Cupla Series models.

### Min. Cross-Sectional Area

(mm<sup>2</sup>)

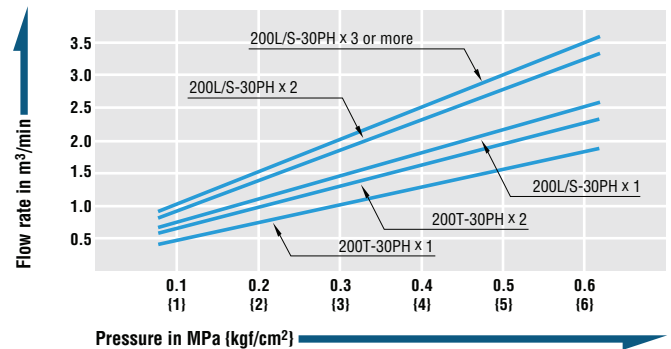
Model	200T type, 200L type, 200S type
Min. cross-sectional area	19

### Suitability for Vacuum

Not suitable for vacuum application in either connected or disconnected condition.

### Pressure - Flow Characteristics

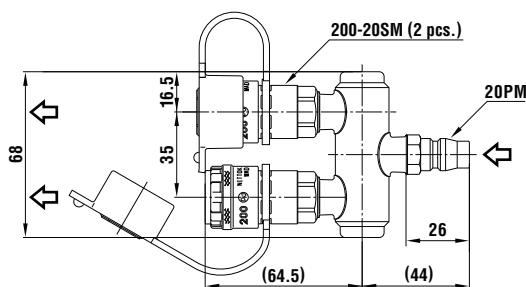
[Test conditions] • Fluid : Air • Temperature : Room temperature



**Socket 200T type (For two outlets)**

Mass : 272 g

- Fluid must run in the direction of the arrow.
- The product comes with dust caps.

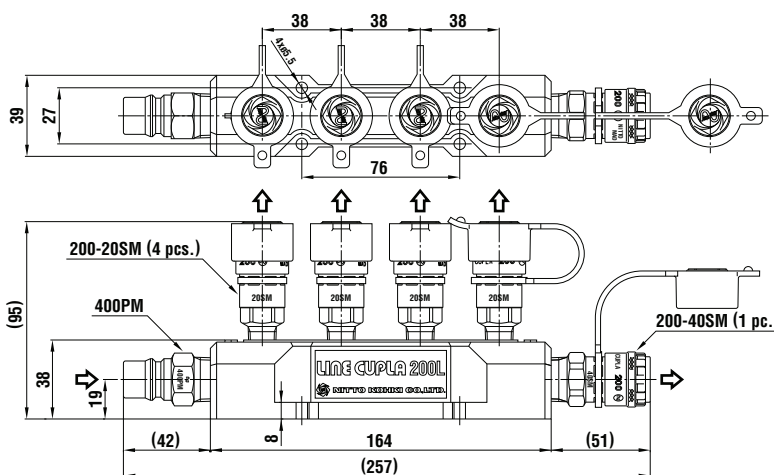


Dimensions (mm)

**Socket 200L type (For five outlets, in line type)**

Mass : 890 g

- Fluid must run in the direction of the arrow.
- The product comes with dust caps.
- Accessory : 400SH

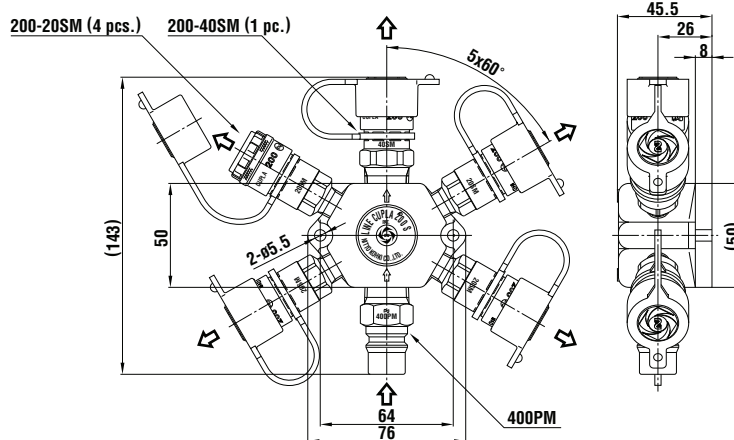


Dimensions (mm)

**Socket 200S type (For five outlets, star type)**

Mass : 769 g

- Fluid must run in the direction of the arrow.
- The product comes with dust caps.
- Accessory : 400SH



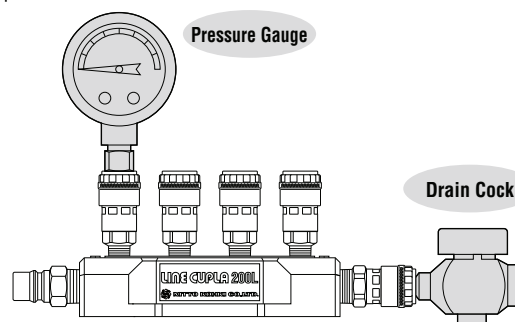
Dimensions (mm)

**Application Example**



**Optional Items : Pressure Gauge and Drain Valve**

“Pressure Gauge” and “Drain Cock” are available as optional items to be mounted on Line Cupla 200.



Appearance subject to change for improvement without notice.