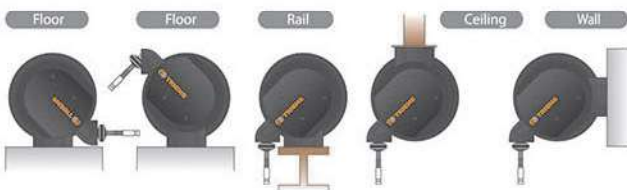


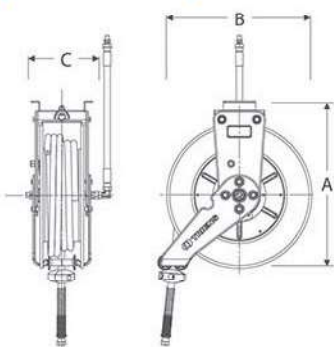
Dual pedestal for heavy duty applications.
 Handles wide range of fluid.
 Comes with slide in mounting base.
 Arm is adjustable for 5 different positions.



Reel can be adjusted 5 different positions

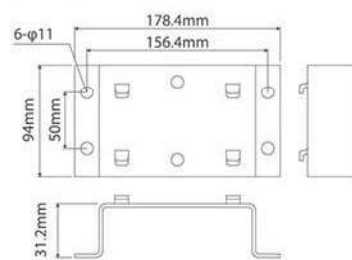


Dimensions

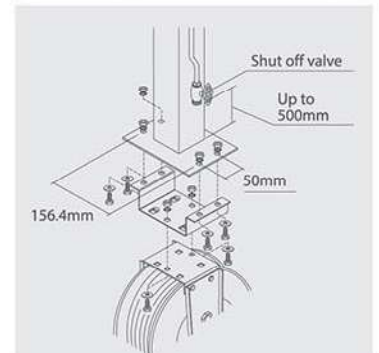


	[mm]		
	A	B	C
GS	461	447	245
GM	566	551	245
GL	666	650	275

Mounting bracket dimensions mm



Installation example mm



※White color option is available .

Hose length is customizable for longer applications. Please consult with factory for details.

G series Small



Air Hose Reels



Water Reels



Oil Reels



Grease Reels



GS

	Model	I.D.(mm)	outlet hose			MPa	inlet hose		weight (kg)
			m	fittings	hose		m	fittings	
air	GS A-315	8.0	15	Union G 3/8 Female	PVC	1.4	1.0	Union G 3/8 Female	13.5
air	GS A-410	13.0	10	Union G 1/2 Female	PVC	1.4	1.0	Union G 1/2 Female	14.9
water	GS W-315	8.0	15	Union G 3/8 Female	PVC	0.5	1.0	Union G 3/8 Female	13.5
water	GS W-410	13.0	10	Union G 1/2 Female	PVC	0.5	1.0	Union G 1/2 Female	14.9
oil	GS O-310	9.5	10	Union G 3/8 Female	1 braid	7.0	1.0	Union G 3/8 Female	15.7
oil	GS O-410	12.7	10	Union G 1/2 Female	1 braid	7.0	1.0	Union G 1/2 Female	16.8
grease	GS G-210	6.2	10	Union G 1/4 Female	2 braid	28.0	1.0	Union G 1/4 Female	15.8
grease	GS G-310	9.3	10	Union G 3/8 Female	2 braid	28.0	1.0	Union G 3/8 Female	17.7

Comes with inlet hose ,nipple and mounting base set.

G series Medium



Air Hose Reels



Water Reels



Oil Reels



Grease Reels



GM

	Model	I.D.(mm)	outlet hose			MPa	inlet hose		weight (kg)
			m	fittings	hose		m	fittings	
air	GM A-320	8.0	20	Union G 3/8 Female	PVC	1.4	1.0	Union G 3/8 Female	16.9
air	GM A-325	8.0	25	Union G 3/8 Female	PVC	1.4	1.0	Union G 3/8 Female	17.4
air	GM A-330	8.0	30	Union G 3/8 Female	PVC	1.4	1.0	Union G 3/8 Female	17.9
air	GM A-415	13.0	15	Union G 1/2 Female	PVC	1.4	1.0	Union G 1/2 Female	17.8
air	GM A-420	13.0	20	Union G 1/2 Female	PVC	1.4	1.0	Union G 1/2 Female	18.8
water	GM W-320	8.0	20	Union G 3/8 Female	PVC	0.5	1.0	Union G 3/8 Female	16.9
water	GM W-325	8.0	25	Union G 3/8 Female	PVC	0.5	1.0	Union G 3/8 Female	17.4
water	GM W-330	8.0	30	Union G 3/8 Female	PVC	0.5	1.0	Union G 3/8 Female	17.9
water	GM W-415	13.0	15	Union G 1/2 Female	PVC	0.5	1.0	Union G 1/2 Female	17.8
water	GM W-420	13.0	20	Union G 1/2 Female	PVC	0.5	1.0	Union G 1/2 Female	18.8
oil	GM O-315	9.5	15	Union G 3/8 Female	1 braid	7.0	1.0	Union G 3/8 Female	20.8
oil	GM O-320	9.5	20	Union G 3/8 Female	1 braid	7.0	1.0	Union G 3/8 Female	22.4
oil	GM O-415	12.7	15	Union G 1/2 Female	1 braid	7.0	1.0	Union G 1/2 Female	32.0
grease	GM G-215	6.2	15	Union G 1/4 Female	2 braid	28.0	1.0	Union G 1/4 Female	20.8
grease	GM G-220	6.2	20	Union G 1/4 Female	2 braid	28.0	1.0	Union G 1/4 Female	22.5
grease	GM G-315	9.3	15	Union G 3/8 Female	2 braid	28.0	1.0	Union G 3/8 Female	23.8

Comes with inlet hose ,nipple and mounting base set.

G series Large



Air Hose Reels



Water Reels



Oil Reels



Grease Reels



GL

	Model	I.D.(mm)	outlet hose			MPa	inlet hose		weight (kg)
			m	fittings	hose		m	fittings	
air	GL A-425	13.0	25	Union G1/2 Female	PVC	1.4	1.0	Union G1/2 Female	31.6
air	GL A-430	13.0	30	Union G1/2 Female	PVC	1.4	1.0	Union G1/2 Female	32.7
air	GL A-435	13.0	35	Union G1/2 Female	PVC	1.4	1.0	Union G1/2 Female	33.7
air	GL A-610	19.0	10	Union G3/4 Female	PVC	1.4	1.0	Union G3/4 Female	29.5
air	GL A-615	19.0	15	Union G3/4 Female	PVC	1.4	1.0	Union G3/4 Female	31.1
water	GL W-425	13.0	25	Union G1/2 Female	PVC	0.5	1.0	Union G1/2 Female	31.6
water	GL W-430	13.0	30	Union G1/2 Female	PVC	0.5	1.0	Union G1/2 Female	32.7
water	GL W-435	13.0	35	Union G1/2 Female	PVC	0.5	1.0	Union G1/2 Female	33.7
oil	GL O-420	12.7	20	Union G1/2 Female	1 braid	7.0	1.0	Union G1/2 Female	36.2
oil	GL O-425	12.7	25	Union G1/2 Female	1 braid	7.0	1.0	Union G1/2 Female	38.4
oil	GL O-610	19.0	10	Union G3/4 Female	1 braid	7.0	1.0	Union G3/4 Female	36.7

Comes with inlet hose ,nipple and mounting base set.