

# FILING/DEBURRING

Portable Fine Finishing File

## MICRO AIR HAND

**Light weight, ultra-low vibration filer for polishing and lapping operations**

• Fine reciprocating motion best for precision parts filing

Model **MAH-05** 

Model **MAH-16** 



Reciprocating motion  
0.5 mm stroke



Reciprocating motion  
2.2 mm stroke

### Mounting Examples

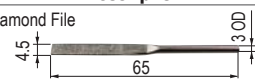
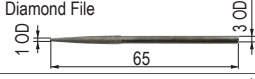
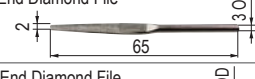
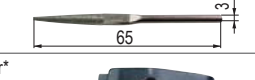

\*This holder can be used for polishing and lapping applications by mounting ceramic stones, etc. (Max size: Thickness 3.2 mm x Width 20 mm)



### Specifications

Model	MAH-05	MAH-16
Air Pressure	MPa (kgf/cm <sup>2</sup> ) 0.6 (6)	
Air Consumption (No-load)	m <sup>3</sup> /min 0.07	
Stroke Speed	min <sup>-1</sup> 22000	11000
Stroke Length	mm 0.5	2.2
File Shank Size	mm 3	
Inlet Size	Rc 1/4	
Mass (Weight)	kg 0.37	
Accessories Included	<ul style="list-style-type: none"> <li>• Flat End Diamond File</li> <li>• Round End Diamond File</li> <li>• 2 mm Hex. Socket Screw Key</li> <li>• Bushing R 1/4 x NPT 1/4</li> </ul>	

### Optional Accessories

PN	Description	Sales Unit
TB07502	Flat End Diamond File 	5 pcs./set
TB07503	Round End Diamond File 	5 pcs./set
TB07504	Triangular End Diamond File 	5 pcs./set
TB07505	Half-round End Diamond File 	5 pcs./set
TB07506	Vice Holder* 	1 set

Pneumatic Deburring Tool

## BURR CUTTER

Model **BC-005** 



**For deburring machined holes**

- While gripping the lever, push the countersink into the machined holes to remove burrs
- Optimum speed can be obtained by the adjust valve, resulting in clear deburred surfaces
- Push-to-engage type prevents the countersink from coming off the hole and damaging the workpiece
- Replacement of the countersink is easy and quick with a set of three quick change chucks provided

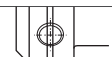
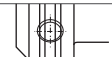
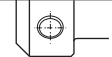

### Specifications

Model	BC-005
Air Pressure	MPa (kgf/cm <sup>2</sup> ) 0.6 (6)
Air Consumption (No-load)	m <sup>3</sup> /min 0.22
Free Speed	min <sup>-1</sup> (rpm) 420
Deburring Hole diameter	mm 3 to 34
Countersink Shank Size	mm 6, 8, 10, 12*
Inlet Size	Rc 1/8
Mass (Weight)	kg 0.75
Accessories Included	<ul style="list-style-type: none"> <li>• Chuck 6 mm</li> <li>• Chuck 8 mm</li> <li>• Chuck 10 mm (Installed)</li> <li>• Suspension Bail</li> <li>• 2.5 mm Hex. Socket Screw Key</li> <li>• Bushing R 1/8 x NPT 1/4</li> </ul>

\*Chuck 12 mm is optional.

Countersinks are not provided with the tool. Please purchase them locally.

### Compatibility table between chuck and countersink shank diameter

Chuck	Appearance*	Countersink Shank Diameter (mm)	Overall Length of Chuck (mm)
Chuck 6		6	49.5
Chuck 8		8	49.5
Chuck 10		10	49.5
Chuck 12		12	60

\*indicates outer appearances of the chucks around the hex. socket head set screw.