

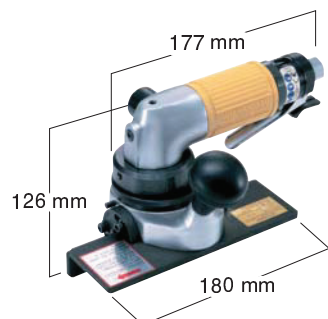
# CHAMFERING

Pneumatic Chamfering Tool

## MINI BEVELER

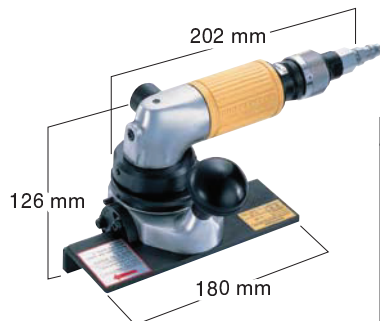
Model **AMBL-0307**

• Lever switch type



Model **AMB-0307** Non-CE

• Ring switch type



**7C**  
**4R**  
Mild Steel

**3C**  
**4R**  
Stainless Steel

**Ideal for chamfering plate, pipe, tube and other profiles**

- Lightweight design for portable edge chamfering applications
- Designed to chamfer stainless and carbon steels
- Adjustable to chamfer angles from 15° to 45°
- 300 mm minimum radius bend
- Chamfer width up to 7 mm at 45°
- Uses indexable carbide inserts

### Specifications

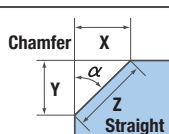
Model		AMBL-0307 / AMB-0307
Air Pressure	MPa (kgf/cm <sup>2</sup> )	0.6 (6)
Air Consumption (No-load)	m <sup>3</sup> /min	0.9
Free Speed	min <sup>-1</sup> (rpm)	14000
Chamfering Capacity	Mild Steel	Up to 7 mm Chamfer or 2, 3, 4 mm Radius
	Stainless Steel	Up to 3 mm Chamfer or 2, 3, 4 mm Radius
Chamfer Angle		15° - 45°
Inlet Size		Rc 3/8
Mass (Weight)	kg	2.9

### Accessories Included

- Indexable Insert with Hole 12.7 (Installed)
- Indexable Insert Set Screw 4 x 7 (Installed)
- Indexable Insert with Hole 12.7
- Indexable Insert Set Screw 4 x 7
- Knob
- 2 pieces of Hex. Socket Set Screw 8 x 25
- 2 pieces of Hex. Nut M8
- 3 mm Hex. Socket Screw Key
- 4 mm Hex. Socket Screw Key
- Spanner T-15F
- Bushing R 3/8 x NPT 3/8

### Chamfer Angle, Width and Radius

Chamfer Angle $\alpha$	Mild Steel(mm)			Stainless Steel(mm)		
	X	Y	Z	X	Y	Z
45°	7	7	9.9	3	3	4.2
30°	4	7	8.1	2.2	3.8	4.4
15°	2.2	8	8.3	1	3.8	3.9



	Mild Steel(mm)	Stainless Steel(mm)
Radius	2, 3, 4	2, 3, 4

Pneumatic Radial Chamfering Tool

## CIRCUIT BEVELER

Model **CB-01**



**1C** Aluminum\*  
**1C** Mild Steel  
**0.5C** Stainless Steel\*

**Ideally suited for chamfering machine and mold component parts**

- Only requires a 6.8 mm diameter hole for chamfering
- Two 3-sided indexable inserts provide a cost effective way to get a smooth, chatter free finish
- Aluminum and stainless steel can also be processed with optional indexable insert

### Specifications

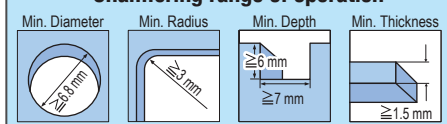
Model		CB-01
Air Pressure	MPa (kgf/cm <sup>2</sup> )	0.6 (6)
Air Consumption (No-load)	m <sup>3</sup> /min	0.15
Free Speed	min <sup>-1</sup> (rpm)	28000
Chamfering Capacity	Mild Steel	Up to 1 mm Chamfer
	Stainless Steel*	Up to 0.5 mm Chamfer
	Aluminum*	Up to 1 mm Chamfer
Chamfer Angle		45°
Minimum Workpiece Thickness	mm	1.5 (0.5 mm Chamfer)
Inlet Size		Rc 1/4
Mass (Weight)	kg	0.5

\*Optional indexable insert is required.

### Accessories Included

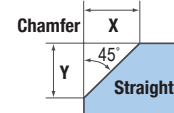
- 2 pieces of Indexable Insert 8.4 (Installed)
- 2 pieces of Indexable Insert Set Screw (Installed)
- 2 pieces of Indexable Insert Set Screw
- 2 mm Hex. Socket Screw Key for Chamfering Adjustments
- Spanner T-6F for Replacement of Indexable Insert
- Bushing R 1/4 x NPT 1/4

### Chamfering range of operation



### Chamfer Angle and Width

Mild Steel(mm)		Stainless Steel(mm)		Aluminum(mm)	
X	Y	X	Y	X	Y
1	1	0.5	0.5	1	1



# CHAMFERING

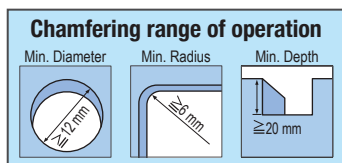
Pneumatic Radial Chamfering Tool

## CIRCUIT BEVELER

Model **CB-02** 



**2C**  
**2R**  
Mild Steel



### Specifications

Model	CB-02	
Air Pressure	MPa (kgf/cm <sup>2</sup> )	0.6 (6)
Air Consumption (No-load)	m <sup>3</sup> /min	0.4
Free Speed	min <sup>-1</sup> (rpm)	15000
Chamfering Capacity	Up to 2 mm Chamfer or 2 mm Radius	
Chamfer Angle	45°	
Inlet Size	Rc 1/4	
Mass (Weight)	kg	1.8

### Accessories Included

- Indexable Insert 9.525 (Installed)
- Indexable Insert 9.525
- Adjustment Gauge
- Spanner T-9F
- Protective Cap
- Hook Spanner 58-65
- Bushing R 1/4 x NPT 1/4

### Chamfer Angle, Width and Radius

Mild Steel(mm)		Chamfer	X	Y	45°	Straight	Mild Steel(mm)		Radius	Round
X	Y						Radius	2		
2	2									

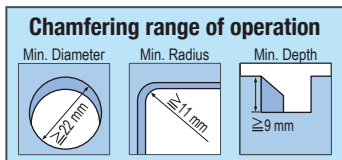
Pneumatic Radial Chamfering Tool

## CIRCUIT BEVELER

Model **CBR-03** 



**3R**  
Steel



## For bridge and shipbuilding applications

### Bridge

- Radius chamfering on the scallop parts or holes of bridge members

### Shipbuilding

- Meets or exceeds PSCP\* requirements on surface preparation of steel materials prior to coating
- Radius chamfering on steel materials used in seawater ballast tanks and double-side skin bulk carrier production
- Dual cutting head with 4 radius surfaces per tip and a quick-change base

\*PSCP stands for Performance Standard for Protective Coatings regulated by International Marine Organization.

### Specifications

Model	CBR-03	
Air Pressure	MPa (kgf/cm <sup>2</sup> )	0.6 (6)
Air Consumption (No-load)	m <sup>3</sup> /min	0.65
Free Speed	min <sup>-1</sup> (rpm)	12000
Chamfering Capacity	3 mm Radius	
Minimum Workpiece Thickness	mm	6
Inlet Size	Rc 1/4	
Mass (Weight)	kg	2

### Accessories Included

- 2 pieces of Indexable Insert 12.7 R3 (Installed)
- 2 pieces of Indexable Insert Set Screw (Installed)
- Indexable Insert Set Screw
- Spanner T-15D
- Handle

### Chamfer Angle and Width

Mild Steel(mm)		Radius	Round
Radius	3		